



ENKOfence for PD01 + PD02 Payoffs

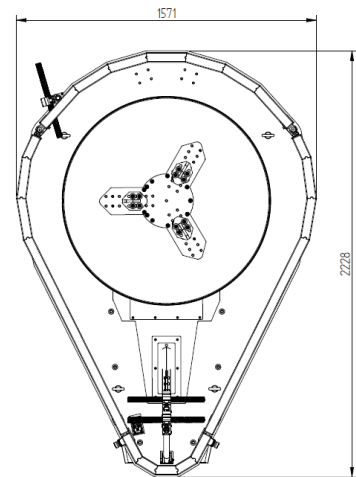
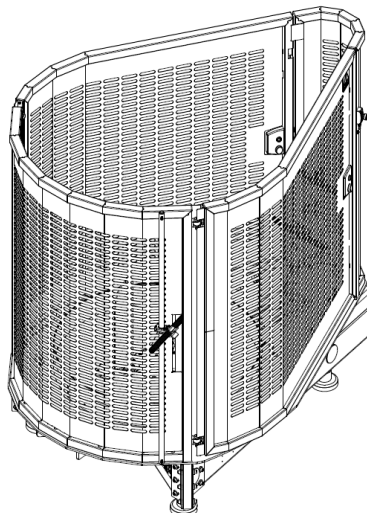
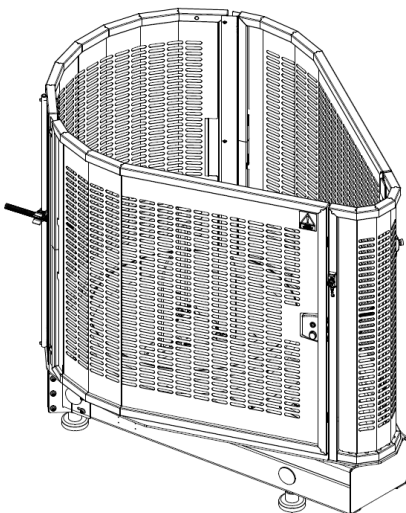
The ENKOfence has been specially designed to fit the Payoff PD01 and PD02. It has doors on both sides and can be installed on-site.

It is an integrated safety fence solution that contributes to a safe working environment while not sacrificing floor space. It also helps boost efficiency by enabling an automatic start/stop functionality on ENKOTEC's latest generation ENKOnail+ nail making machines.



ENKOTEC advantages:

- Maximises safety
- Easily accessible
- Compact design
- Minimises footprint
- Enables auto start/stop capability for NX03-series





ENKOfence dimensions

