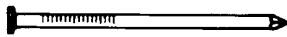
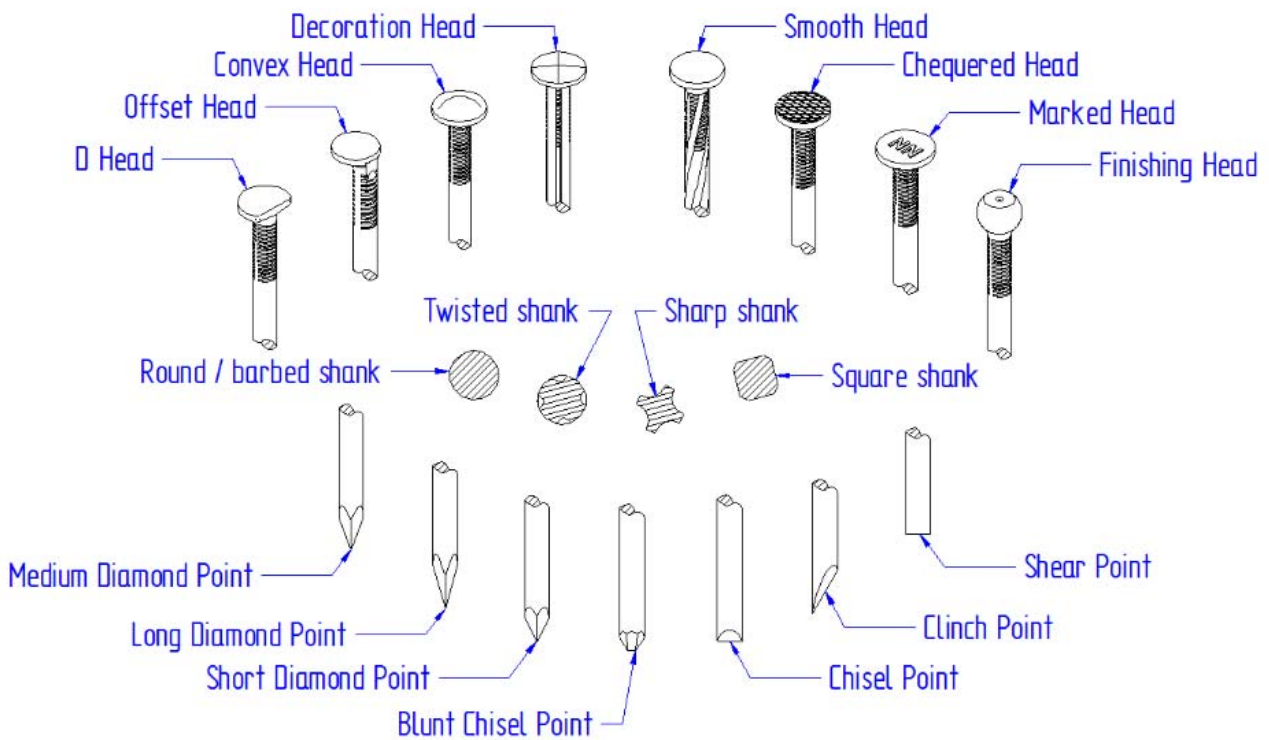
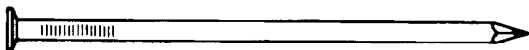


What can you produce on an ENKOTEC Rotary Nail Machine?



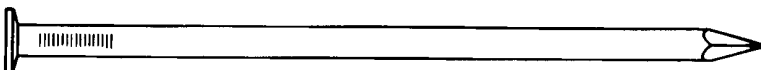
Nail Lengths

25 – 130 mm
1" – 5 1/8"



Shank Diameters

1.8 – 4.2 mm
.071" – .165"



Production Capacity

Up to 2500 nails per minute



inderborg
Tel.: +45 8652 4444 · Fax: +45 8652 4199 · sales@enkotec.dk · www.enkotec.com
Sales Office South & Central America · Tel.: +54 911 5102 2090 · max@enkotec.dk

Sales & Service USA/Canada/Mexico · ENKOTEC COMPANY, INC. · 31200 Solon Road, Solon · Ohio 44139, USA
Tel.: +1 440 349-2800 · Fax: +1 440 349-3575 · sales@enkotec.com · www.enkotec.com