

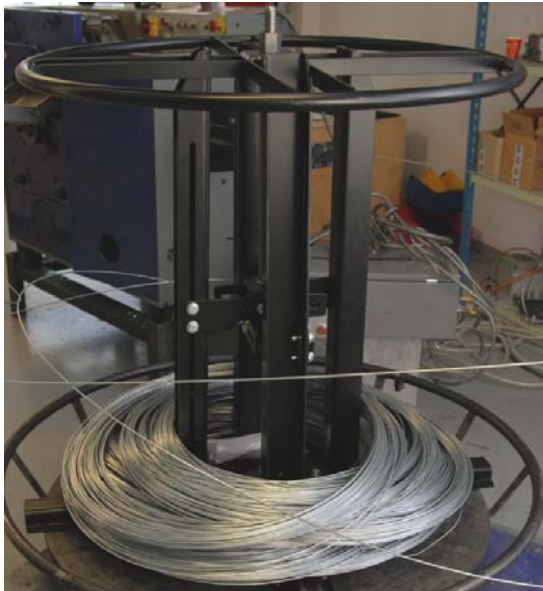
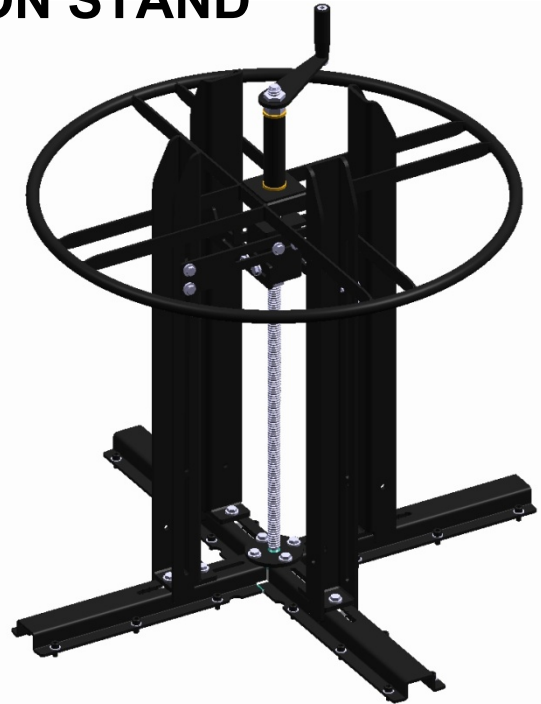
ENKOTEC WIRE COIL FIXATION STAND

The ENKOTEC wire coil stand has been designed for easy handling and fixation of strapped wire coils without drums.

The wire coil stand is a robust construction and can be mounted on an existing pay-off turntable.

The stand, which covers a wide range of coil diameters and heights, can be easily adjusted to the specific wire coil dimensions.

It is possible to change common wire coils fast and with easy access to cutting the straps of the coil after the axial compression has been secured by means of the top wire coil support.



Wire Coil Range*):

Weight:	Max. 2000 kg / 4400 lbs
Height:	200 – 850 mm / 8” – 33,5”
Inner diameter:	330 – 550 mm / 13” – 21”
Outer diameter:	Max. 880 mm / 34,5”

**) Please inform ENKOTEC of the specific wire coil data when ordering a Wire Coil Fixation Stand.*